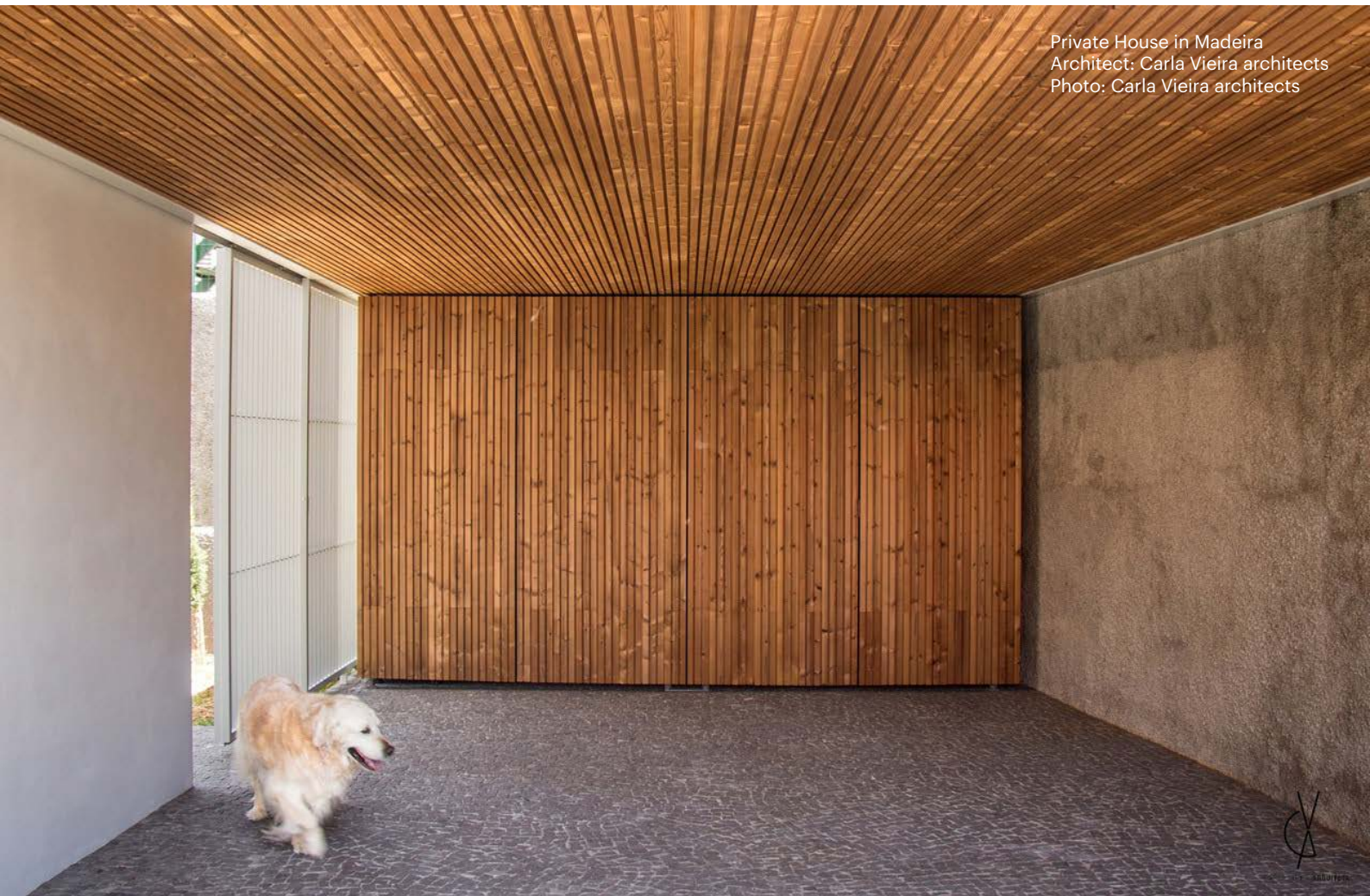




**Installation guideline for  
Luna Triple 32x140**

Private House in Madeira  
Architect: Carla Vieira architects  
Photo: Carla Vieira architects

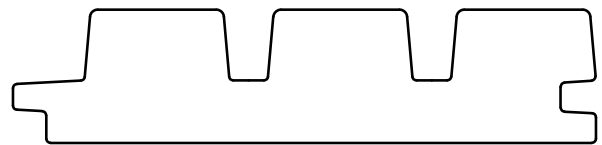


# LUNA TRIPLE 32x140

## Guideline for Luna Triple installation

Luna Triple 3D effect with easy installation in indoor and outdoor use.

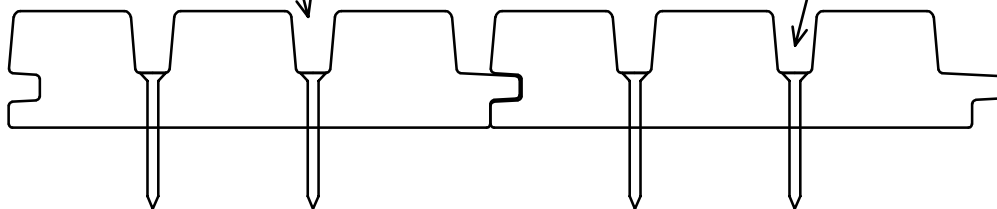
dimensions (mm)	32x140
class	LunaThermo-D
species	Nordic spruce
length (m)	3,0 - 5,4
m/m <sup>2</sup>	7,57
joist spacing (mm)	600



### OUTDOOR AND CEILINGS, mounting with screws:

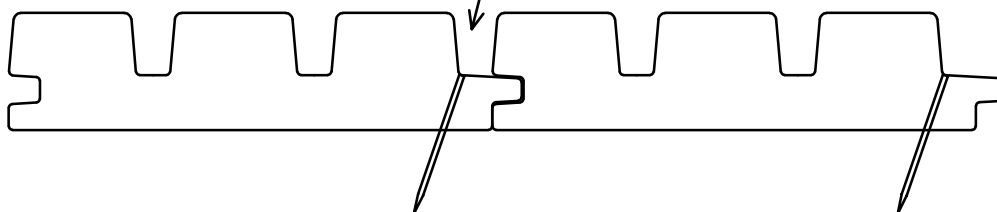
Stainless steel screw. Length 40 mm

Screw head diameter max 7 mm



### INDOOR, mounting with nailing:

Stainless steel nail. Length 40 mm

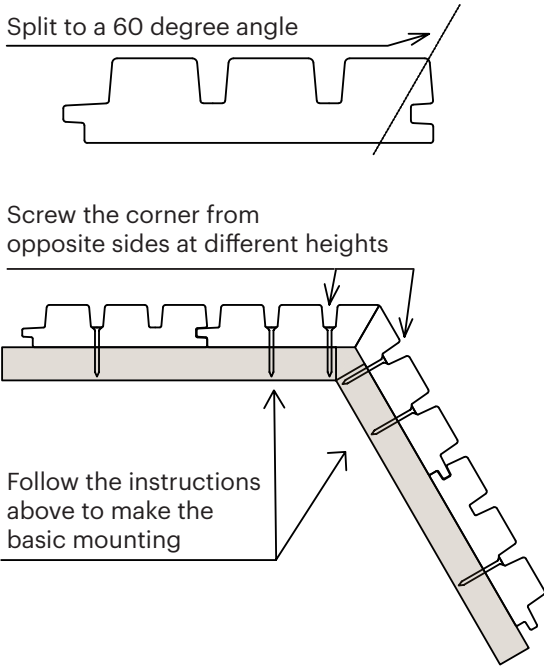


# LUNA TRIPLE 32x140

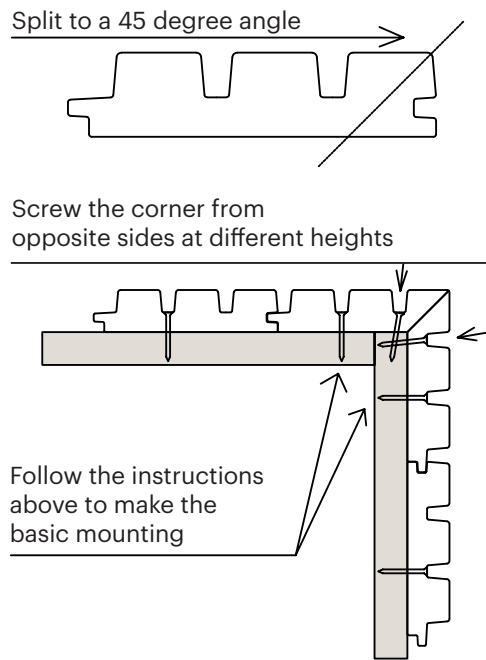
## Guideline for Luna Triple installation

Luna Triple corner installation

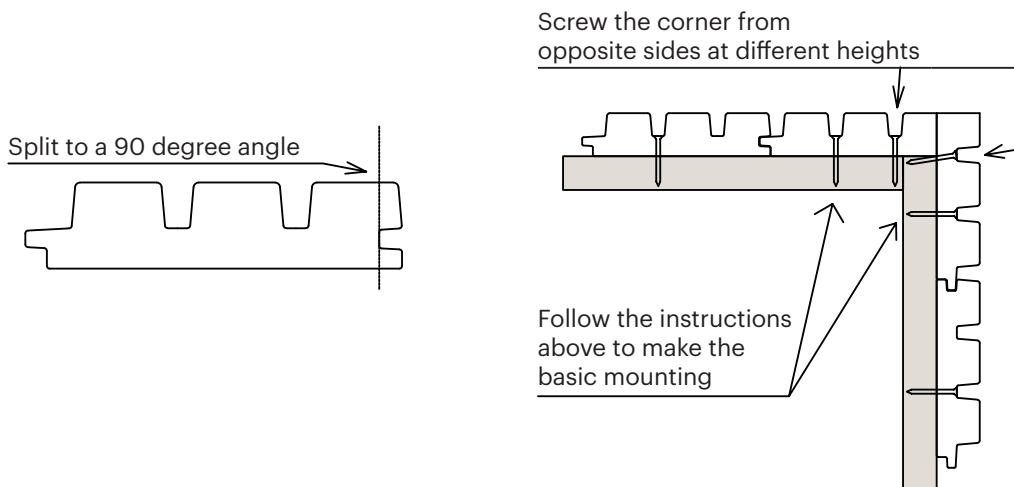
### Miter 60 degree corner:



### Miter 90 degree corner:



### Basic 90 degree corner:

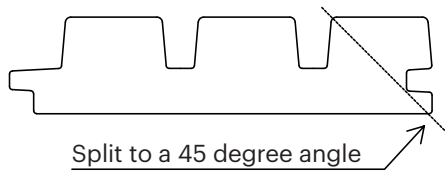


# LUNA TRIPLE 32X140

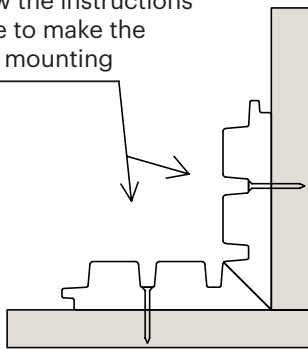
## Guideline for Luna Triple installation

3 ways to install internal corners

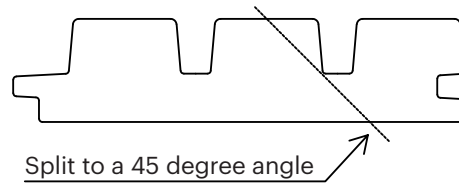
### 1st way:



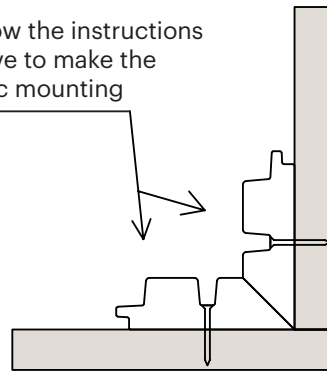
Follow the instructions above to make the basic mounting



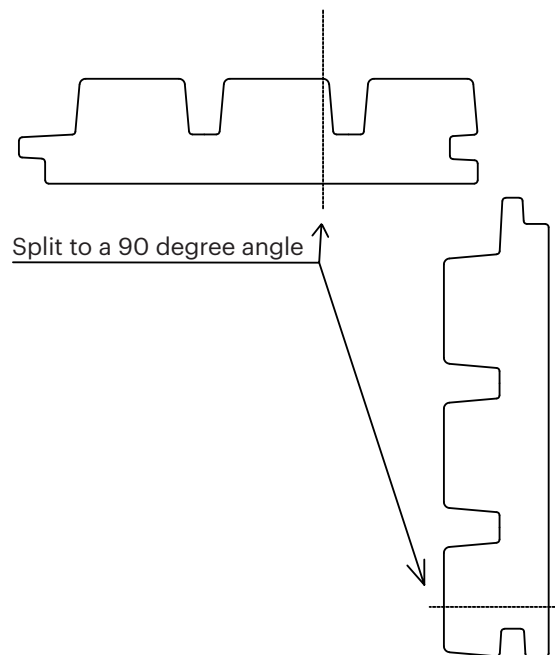
### 2nd way:



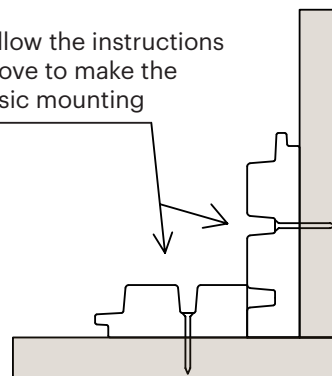
Follow the instructions above to make the basic mounting



### 3rd way:

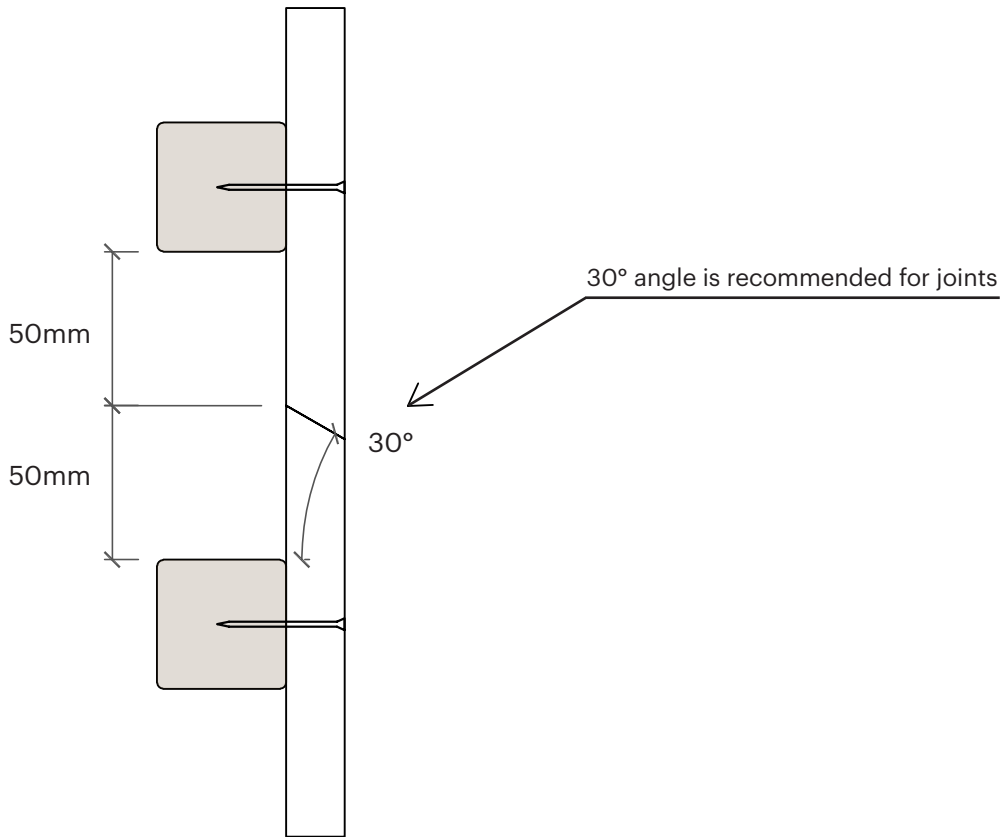


Follow the instructions above to make the basic mounting



# General board joint guideline

---



## Fasten nails/screws to the correct depth



This brochure is provided for informational purposes only and no liability or responsibility of any kind is accepted by Lunawood or its representatives, although Lunawood has taken reasonable efforts to verify the accuracy of any advice, recommendation, or information. Lunawood reserves the right to alter its products, product information and product range without prior notice.